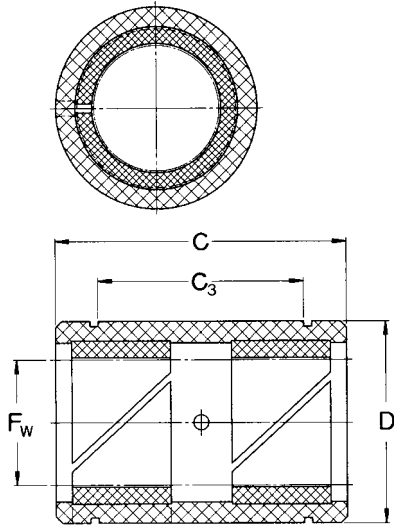


## LPAR ..

Linear plain bearings without seals, closed type



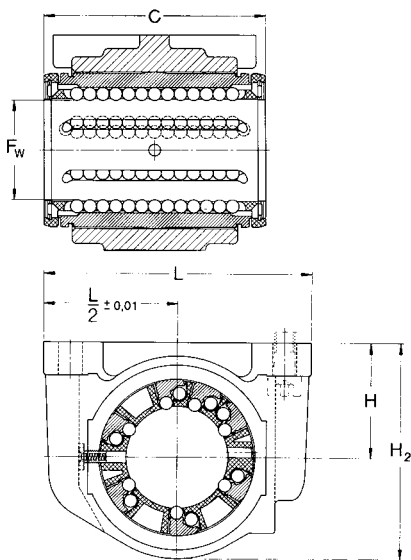
| Designations | Dimensions     |     |     |                | Basic load ratings dynamic |            | static         |
|--------------|----------------|-----|-----|----------------|----------------------------|------------|----------------|
|              | F <sub>w</sub> | D   | C   | C <sub>3</sub> | C<br>0,1 m/s               | C<br>4 m/s | C <sub>0</sub> |
|              | mm             |     |     |                | N                          |            |                |
| LPAR 5       | 5              | 22  | 22  | 12             | 280                        | 7          | 980            |
| LPAR 8       | 8              | 16  | 25  | 14             | 510                        | 13         | 1 800          |
| LPAR 12      | 12             | 22  | 32  | 20             | 965                        | 24         | 3 350          |
| LPAR 16      | 16             | 26  | 36  | 22             | 1 530                      | 38         | 5 400          |
| LPAR 20      | 20             | 32  | 45  | 28             | 2 400                      | 60         | 8 300          |
| LPAR 25      | 25             | 40  | 58  | 40             | 4 000                      | 100        | 14 000         |
| LPAR 30      | 30             | 47  | 68  | 48             | 5 500                      | 137        | 19 300         |
| LPAR 40      | 40             | 62  | 80  | 56             | 8 000                      | 200        | 28 000         |
| LPAR 50      | 50             | 75  | 100 | 72             | 12 000                     | 300        | 41 500         |
| LPAR 60      | 60             | 90  | 125 | 95             | 16 600                     | 415        | 60 000         |
| LPAR 80      | 80             | 120 | 165 | 125            | 290 000                    | 720        | 100 000        |

## LUCD ..

Single units, self-aligning, closed type, relubricatable

LUCD (without seals)

-2LS with two seals



| Designations | Dimensions     |     |            |                |     | Basic load ratings dynamic |                | static |
|--------------|----------------|-----|------------|----------------|-----|----------------------------|----------------|--------|
|              | F <sub>w</sub> | C   | H<br>±0,01 | H <sub>2</sub> | L   | C                          | C <sub>0</sub> |        |
|              | mm             |     |            |                |     | N                          |                |        |
| LUCD 12      | 12             | 32  | 18         | 34.5           | 52  | 1 080                      | 815            |        |
| LUCD 16      | 16             | 36  | 22         | 40.5           | 56  | 1 320                      | 865            |        |
| LUCD 20      | 20             | 45  | 25         | 48             | 70  | 2 000                      | 1 370          |        |
| LUCD 25      | 25             | 58  | 30         | 58             | 80  | 2 900                      | 2 040          |        |
| LUCD 30      | 30             | 68  | 35         | 67             | 88  | 4 650                      | 3 250          |        |
| LUCD 40      | 40             | 80  | 45         | 85             | 108 | 7 800                      | 5 200          |        |
| LUCD 50      | 50             | 100 | 50         | 99             | 135 | 11 200                     | 6 950          |        |

Example:  
LUCD 40  
LUCD 12-2LS